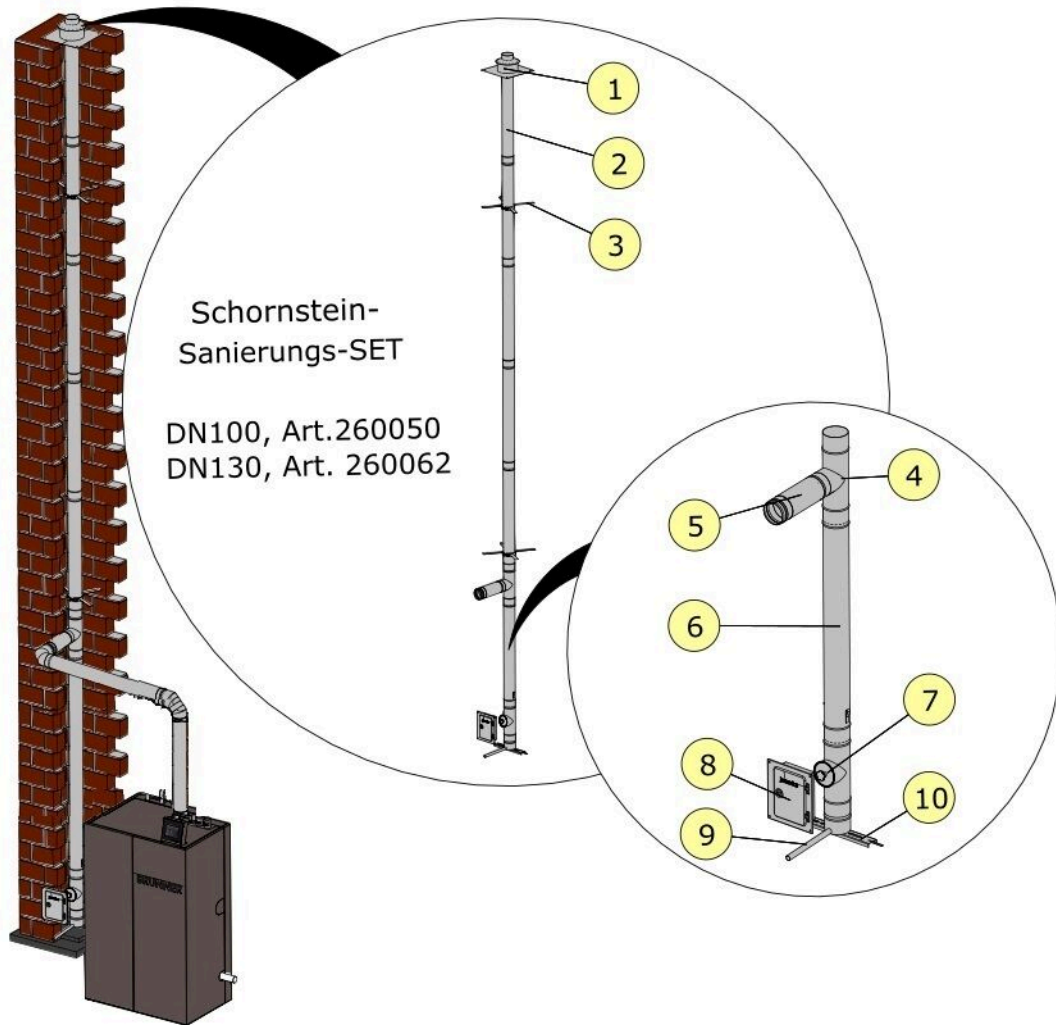


1 Chimney renovation - Set

(= Schornstein-SanierungsSet)



Pos.	Designation	pcs.	DN100 Item no.	DN130 Item no.
1	Head cover with weather collar	1	902447	902991
2	Length element 1000 mm Usable length 940 mm	5	902446	902990
3	Mounting clamp for centering in the shaft	2	900565	900566
4	T-piece ⁸⁷⁰ Transition EM PV 100 Usable length 240 mm	1	902448	902496
5	Length element 500 mm for extending the outlet	1	902491	902491
6	Length element 980mm with drain loop Useful length 930mm	1	902444	902989
7	Cleaning element round Useful length 310 mm	1	902441	902988
8	Stainless steel chimney door	1	900492	902587
9	Condensate tray with nipple DN 50mm	1	902440	902495
10	Support rail 350 mm	1	900550	900550

Pos.	Designation	pcs.	DN100 Item no.	DN130 Item no.
	Allround paste white	1	902978	902978

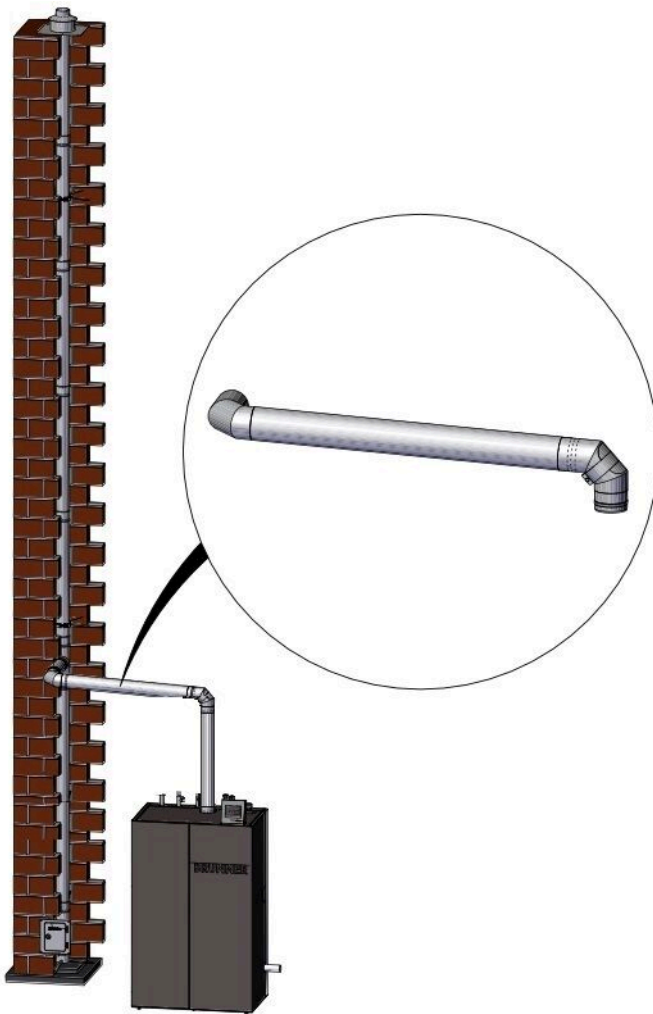
We recommend the use of SET chimney renovation accessories as a single-walled, gasket-free system flue gas system made of stainless steel for control fireplaces and combustion engines with a conically sealing connection. 6.2 m, DN 100, EW-KL system, material 1.4404/1.4571.

CE-certified, single-walled and pressure-tight flue gas system made of stainless steel, manufactured by Jeremias EW-KL. Flue gas system made of industrially manufactured, single-walled stainless steel system elements, for installation in existing shafts that meet the fire protection requirements. Production is externally monitored by an independent testing institute, with self-monitoring ensuring consistent quality. Longitudinal seams TIG gas-shielded welded and passivated. The material thickness offers optimum protection against buckling and denting. Connection of the individual elements by means of conically inserted sockets.

CE certificate number: 0036 CPR 9174 004

Installation is carried out professionally in accordance with the installation instructions, in particular DIN V 18160-1, as well as the applicable LBauO, FeuVo, the relevant DIN standards and all other building and safety regulations. The required cross-section must be determined in accordance with DIN EN 13384-1 and checked by the specialist company carrying out the work.

2 Connecting pipe to the chimney



Designation	Item no.
Elbow 87° with inspection opening	902412
Elbow 87°	902411
Angle bracket 45°	902474
Boiler connection with draw-in and measuring nozzle, usable length 90 mm	902414
Length element 1000 mm, effective length 940 mm	PH003050
Length element 500 mm usable length 460 mm	902491
Length element 500 mm with inspection opening Effective length 460 mm	902410
Sliding element one-piece 80 to 420 mm	902408
Wall rosette	902450
Connection piece DN 120 with integrated wall lining	902473
Connection piece DN 130 with integrated wall lining	902415
Connection piece DN 150 with integrated wall lining	902472

CE-certified, rigid, single-walled and soot-resistant connection piece, made by Jeremias PELLET-LINE with internal seal. Connecting piece made of industrially manufactured, single-walled elements.

We recommend the use of our connecting pipe in DN 100mm as a single-walled system with seals embedded in beads. Maximum operating temperature 200°C.

Connecting piece made of high-alloy stainless steel material number 1.4404 with a minimum wall thickness of at least 0.4 mm (media-carrying pipe).

The system is overpressure-tight up to 200 Pa by inserting a seal in a molded bead at the factory. Longitudinal seams TIG gas-shielded welded and passivated.

Connection by retracted plug-in ends with internal seal, clamping straps are not required.

Attractive design, as no beads or clamping straps are required in the outer casing, but the elements can still be shortened.

Production is externally monitored by an independent testing institute, while self-monitoring ensures compliance with consistent quality standards.

CE certificate number 0036 CPR 9174 072.

The flue gas pipe must have a cleaning opening and a measuring opening.

For room air-independent operation, the flue gas pipe must be designed to be at least 50 Pa overpressure-tight. For BPH 4/17, BPH 7/25, BPH 9/32, the flue gas pipe must generally be designed to be at least 50 Pa overpressure-tight.

Ulrich Brunner GmbH

Zellhuber Ring 17-18
D-84307 Eggenfelden

Tel.: +49 (0) 8721/771-0

E-Mail: info@brunner.de

Current data: www.brunner.de

BRUNNER products are offered and sold exclusively by qualified dealers and service centres.

Technical and range-related changes as well as errors reserved.

All images may contain additional functions or special equipment that are subject to a surcharge. Reprinting and duplication, including extracts, only with the express permission of the publisher. © Ulrich Brunner GmbH. © by Ulrich Brunner GmbH.

® **BRUNNER** is a registered trademark.